



上海狄昊实业发展有限公司  
shanghai dihoo industrial development co., ltd.

# HIGH PRESSURE CLEANER

## DW-085BH



**WARNING: READ THE INSTRUCTION CAREFULLY BEFORE OPERATION**

Shanghai dihoo Industrial Development Co.,Ltd.

Add:Qingpu District 3841 Huqingping highway (Shanghai)

Add:Ningbo Yinzhou District Qiyun Road No. 1000 (Ningbo)

Contacts:wang di

Tel:0086 13586526531

E-mail:dh@dihoo.cc

Website:www.nb-huaxun.com



# High pressure cleaner

**Warning: Read the instruction carefully before operation.**

## Application

DW-085BH portable high pressure cleaner is a highly specialized multifunctional machine with exceptionally reliable safety assurance, which may be used to wash and clean various kinds of vehicles, engineering machinery, and building. Moreover, it can be used to do watching and clearing works in a variety of wide scale public facilities, such as hotels, restaurants, theatres, stations as well as quays and wharfs.

## Major Data

VOLTAGE	230V~240V/50Hz
POWER	1500W
Rated pressure	60bar
Max. pressure	90bar
Flow	5.5L/Min
Protect Class	IPX5
Max water Temperature	40°C
Motor Type	Brush

## Safety regulations

### Attention!

**Through poor conditions of the electrical MAINS, shortly voltage drop can appear when starting the EQUIPMENT. This can influence other equipment (eg. Blinking of a lamp). If the MAINS-IMPEDANCE  $Z_{max} < 0.311$  OHM, such disturbances are not expected. (IN case of need, you may contact your local supply authority for further information).**

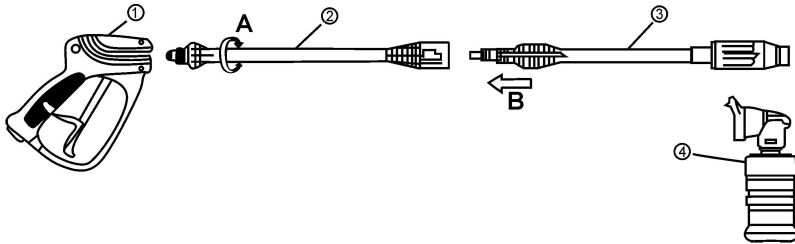
1. Do not use the appliance without reading the instruction sheet.
2. It is indispensable for the socket connected to this appliance to be equipped with a ground strap connection and the rating voltage (V/Hz) of the appliance has to be in compliance with the local power supplying voltage.
3. The unit must continuously run with water. Dry running will cause serious damages to the seals.
4. The unit has an auto-stop equipment. When you close the gun, the motor will be stopped till open the gun again. Warning: Do not close the gun for more than 10 minutes without shut off the power, if there is no one to take care.
5. This machine has only to be used for the purpose for which it was designed, any other uses should be considered improper and therefore, dangerous. The manufacturer should not be held responsible for any damages caused by improper, incorrect and irrational use.
6. Don't start and run the machine in the rain or storm. It is strictly prohibited to let water leak into the machine.
7. Protect the unit against freezing. Avoid storing the machine in the cold place.
8. High-pressure jets can be dangerous if subject to misuse. The jet must not be directed at persons, live electrical equipment or the appliance itself.
9. Don't use the appliance within the range of persons unless they wear protective clothing.
10. Don't direct the jet against yourself or others in order to clean clothes or footwear.

11. High-pressure cleaner should not be used by children or untrained personnel.
12. To ensure the safety use only original, spare parts from the manufacturer or approved by the manufacturer can be used.
13. Don't use the appliance if the power cord or any important parts of the appliance are damaged, ex. Safety device, high-pressure hose, gun, etc.
14. If the supply cord or the internal wire is damaged, it must to be replaced by the manufacturer or its service agent or a similarly qualified person in order to avoid a hazard.
15. Before carrying out cleaning or maintenance operation, disconnect the machine from the electric main supply. When the unit maintains idle for a long time, disconnect the electric and water supplies.
16. If an extension cord is used the plug and socket must be of watertight construction.
17. For cleaning easily damage surface (e.g. paint, vehicle tire) hold the spray in be at a greater distance.
18. Warning: Pressing the gun trigger causes a kickback force. Don't kink the high-pressure hose, to avoid loops.
19. Warning: Inadequate extension cords can be dangerous.
20. Warning: High pressure hoses, fittings and couplings are important for the safety of the appliance. Use only hoses, fittings and couplings recommended by the manufacturer.
21. Disconnect from the electrical power supply before carrying out user maintenance.

## Installation and use

### Lance Assembly

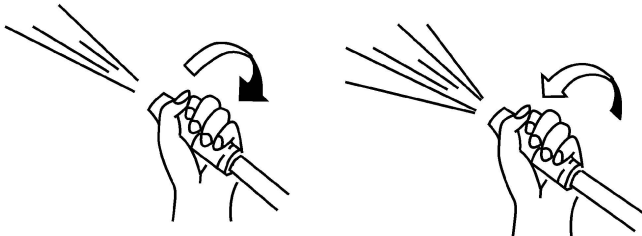
To fit the lance to the gun: It is sufficient to turn the middle lance (pos.2) into the gun (pos.1) tightly, and put the front lance into the hole of the middle lance in the direction of the arrow “B” and rotate it 90 degrees, then the complete coupling is reached. (ref.1)



ref.1

### Use of nozzle

Spray angle can be adjusted. The spray angle can be varied from straight to fan by turning the nozzle of the high-pressure tube. (ref.2)



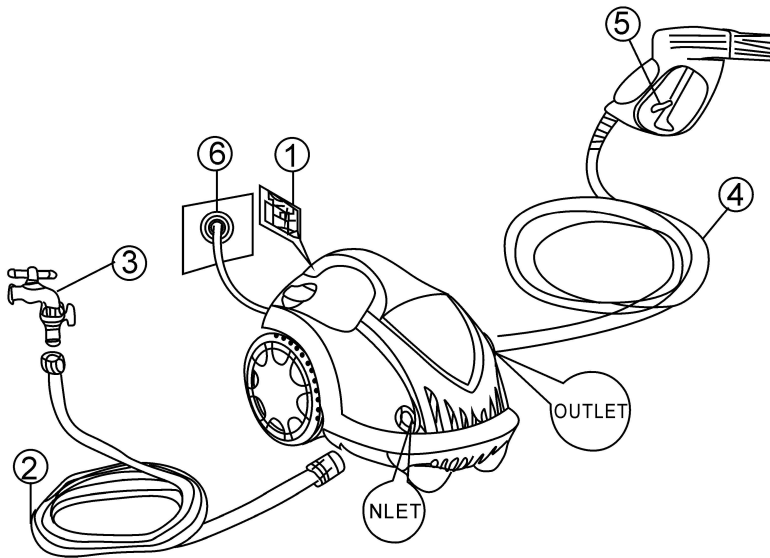
ref.2

### Gun safety device

Safety lock whenever you need to stop the machine, it is necessary to use the safety lock, placed on the gun, in order to fortuitous openings.

## Suitable use of the machine

1. High-pressure cleaner is suitable for washing with cold or warm water at maximum temperature of 40°C, higher temperature can damage the pump.
2. It is forbidden to apply any protections or modifications on the spraying lance or to the washing nozzles.
3. Whenever you use the high pressure cleaner, we suggest to gripping the gun in the right position, with one hand on the handle and the other hand on the lance.
4. The washer shall be placed on a safe and steady plane and in horizontal position.



ref.3

## **Installation**

1. Check if the ON/OFF switch is in the “OFF” position (pos.1).
2. Connect the water service pipe (pos.2) to the suction pipe fitting INLET by making use of a stiffened tube with an inside diameter of at least 13mm(1/2”). The water temperature has not to exceed 40°C.
3. Put the lance in the spray gun (see ref.2).
4. Connect the high-pressure hose (pos.4) to the delivery pipe OUTLET and gun.
5. Connect the plug to the socket (pos.6).
6. Open the water valve completely (pos.3).
7. Press the gun trigger (pos.5) so that the air and the possible pressure waste go out from the pipe.
8. Start the equipment up, by turning the ON/ OFF switch in the “ON” position.

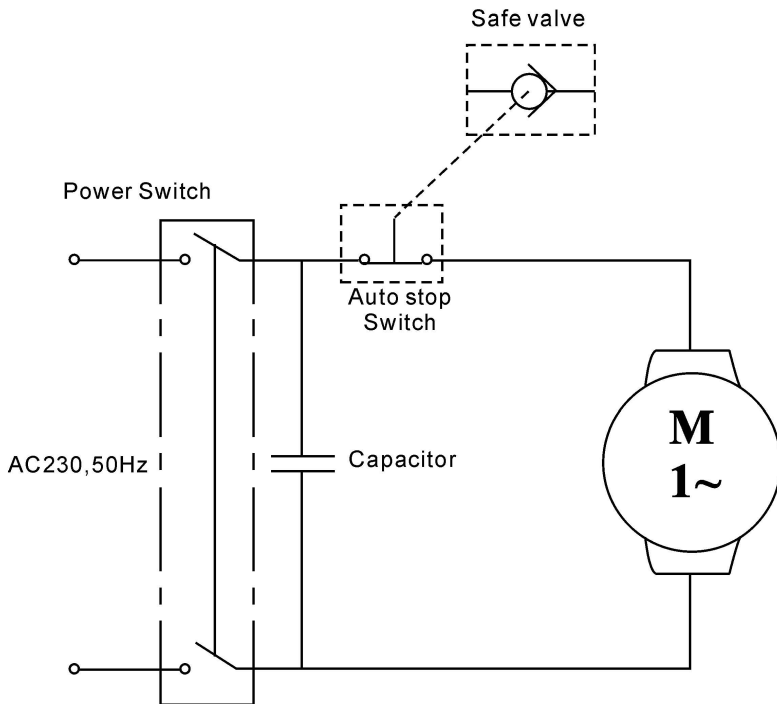
## **Maintenance**

1. Lubrication: The cleaner is supplied with lubrication close system, so no addition of oil is needed.
2. Water suction filter checking: Check periodically in order to avoid deposits clogging it.
3. Long storage period if you foresee/expect to keep the machine in environments, where there is danger of ice/frost or if you don't use it for more than 3 months, we suggest to get the machine to intake an antifreeze before putting it away (similar to that used for cars). Furthermore, when you start the machine up small leakage can occur. This leakage will disappear after some hours of functioning.
4. Electric motor: The electric motor is equipped with a thermal

switch. The motor will stop if it overheating, wait 5~10 minutes before starting it again.

5. Electric cable: Take care not to damage the electric cable. If it does become damaged, only professionally qualified personnel must be allowed to replace the electric cable.

### Electric Diagram





# Trouble shooting

<b>Fault</b>	<b>Probable cause</b>	<b>Repair</b>
When switch "ON" the machine will not start working	Electric socket is faulty	Check plug, socket and fuses
	The main voltage is insufficient	Check that the main voltage is adequate
	The pump is stuck	Turn the motor manually
	Thermal safety switch has Tripped	Switch off the unit and let the motor cool for a few minutes
The pump does not reach the necessary pressure	Water inlet filter is clogged	Clean the water inlet filter
	Pump sucking air form connections or hoses	Check that connections and locking ring are well tightened
	Suction/delivery valves are Clogged or worn out lance	Clean or replace valves
	Nozzle incorrect or worn out	Check and /or replace
Fluctuating pressure	Pump sucking air	Check that hoses and connections are right
	Valve dirty worn out or stuck	Clean or replace
	Sealing worn out	Check and replace
The motor stops suddenly	Thermal safety switch has stripped	Check that main voltage corresponds to the specifications
	Due to the overheating	Switch off the unit and let it cool for a few minutes
Water leaking from the pump	Sealing worn out	Check and replace
Loss of pressure	The nozzle is worn out	Replace the nozzle
	The valves are dirty or blocked	Check, clean or replace
	Adjusting valve seal is worn out	Check and replace
	Seals are worn out	Check and replace
	The filter is dirty	Check and clean
Noise	Air intake	Check the intake pipes
	Valves are worn out, dirty or blocked	Check, clean or replace
	Bearings are worn out	Check, clean or replace
	Extreme water temperature	Bring the temperature under 40°C
	The filter is dirty	Check and clean
Water is in the oil	O-ring(water and oil) are worn out	Check and replace
Water leakage from the head	Seals are worn out	Replace the seals
	O-ring(water and oil) are worn out	Replace the O-rings
When you turn the switch "ON", the engine buzzes, but it does not start	Net voltage (volt) is lower than the minimum suggested voltage	Check that the electric installation is suitable
	The pump is blocked	Turn the motor by hand
	Cable extension seems to be inadequate	Replace the extension with and adequate one



Waste electrical products should not be disposed of with household waste. Please recycle where facilities exist. Check with your Local Authority or retailer for recycling advice.